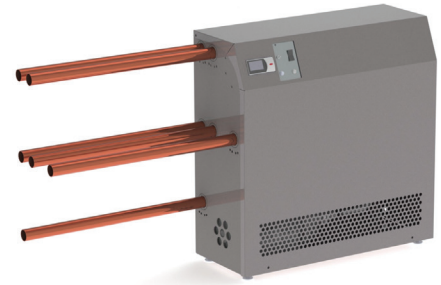
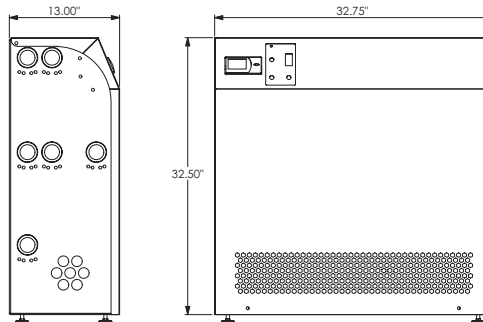


# City Water Backup Systems

TECHNICAL DATA



## CWS-Series

Provides emergency water source to back-up your Haskris chiller.  
(If isolation of glycol loop is required, refer to CGS-series)

		CWS1	CWS2	CWS3	CWSM (manual)
<b>Cooling Capacity</b>		Supports Haskris OPC 3	Supports Haskris OPC 4-5	Supports Haskris OPC 8-10	Supports Haskris OPC 3
Connection Size	Inches: NPT	1	1	1.5	3/4
Pipe Size	Inches: NPT	3/4	1	1.5	3/4
<b>Operating Conditions</b> (indoor ambient)	°F (°C)	55 to 90 (13 to 32)	55 to 90 (13 to 32)	55 to 90 (13 to 32)	55 to 90 (13 to 32)
<b>Maximum Inlet Pressure</b>	psi	100	100	100	150
<b>Dimensions, W x D x H</b>	Inches (cm)	32.75 x 13 x 32.5 (83 x 33 x 82)	32.75 x 13 x 32.5 (83 x 33 x 82)	32.75 x 13 x 32.5 (83 x 33 x 82)	18 x 9.25 x 24 (46 x 24 x 61)
<b>Dry Unit Weight</b>	lbs (kg)	230 (104)	245 (111)	260 (118)	125 (57)
<b>Power Requirements</b>					
115V-1Ø-60Hz	MCA/MOCP	0.4/15	0.4/15	0.4/15	
208-230V-1Ø-60Hz	MCA/MOCP	0.2/15	0.2/15	0.2/15	

## CGS-Series

Provides automatic city water backup\* for your Haskris chiller and prevents contamination and/or loss of fluid in the chilled glycol circuit.

<b>MODEL</b>		CGS1	CGS2	CGS3
<b>Cooling Capacity</b>		Supports Haskris OPC 3	Supports Haskris OPC 4-5	Supports Haskris OPC 8-10
Connection Size	Inches: NPT	1	1	1.5
Pipe Size	Inches: NPT	3/4	1	1.5
Flow Rate	GPM (LPM)	5.5 (20.8)	10.5 (39.8)	25 (94.6)
Pump Horsepower	HP	3/4	1.5	5
<b>Operating Conditions</b> (indoor ambient)	°F (°C)	55 to 90 (13 to 32)	55 to 90 (13 to 32)	55 to 90 (13 to 32)
<b>Maximum Inlet Pressure**</b>	psi	100	100	100
<b>Dimensions W x D x H</b>	Inches (cm)	32.75 x 13 x 32.5 (83 x 33 x 82)	32.75 x 13 x 32.5 (83 x 33 x 82)	32.75 x 13 x 32.5 (83 x 33 x 82)
<b>Dry Unit Weight</b>	lbs (kg)	280 (127)	320 (145)	365 (165)
<b>Power Requirements</b>				
208-230V-3Ø-60Hz	MCA/MOCP	3.4/15	6.1/15	16.9/25
460V-3Ø-60Hz	MCA/MOCP	1.8/15	3.1/15	8.0/15

**HASKRIS**  
100 Kelly Street  
Elk Grove Village  
Illinois 60007 USA

Ph: +1-847-956-6420  
F: +1-847-956-6595  
Email: sales@haskris.com

[www.haskris.com](http://www.haskris.com)

\* Backup water must be at least 10°F colder than the supply temperature to hold temperature stability.  
\*\* Recommended pressure differential across backup water connections: 25-50psi.

OPC-Series